

RC862-30/30-BL Modular Fiber Modem

RC862-30/30-BL is a modular fiber modem which provides one optical fiber for uplink and one E1 port for client access. RC862-30/30-BL can be local/remotely managed and has local/remote alarm indicators on front panel. Local/remote E1-loopback function and remote device power-off alarm benefit fault detection and troubleshooting. Typically, we deploy RC862-30/30-BL in pair or deploy it against other RC86x fiber modem. Being inserted in RC002 series chassis with SNMP management, both local and remote device can be managed on GUI based Raisecom NView NNM system.



RC862-30

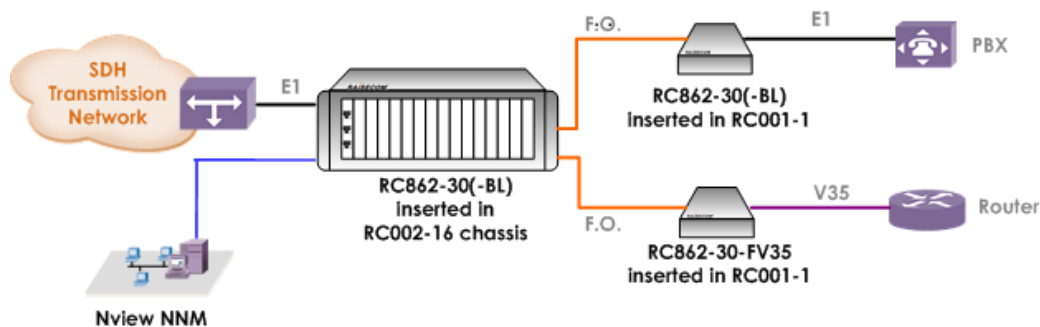


RC862-30-BL

Highlights

- Front panel LED** Showing device operation/alarm status on front panel for convenient monitoring
- Effective fault location** E1-loopback function and remote device power-off alarm benefit fault location
- Easy Management** Local /remote managed via SNMP on Nview NNM

Typical Application





Features

Fiber Port	Code: Scrambled NRZ Speed: 150Mbps SC or FC connector(made to order) ALS supported
E1 port	Data Rate: 2048Kbps±50ppm Code: HDB3 75Ω unbalanced (BNC) or 120Ω balanced (RJ-45) Transparent E1 local/remote loopback test In-built bit error tester Unused E1 alarm mask provided
Remote Power Off Alarm	Supported
Management	GUI-based SNMP management on Raisecom NView NNM system

Specifications

Fiber Port	1 x SC or FC connector(made to order)
E1 Port	1 x BNC connector unbalanced 1 x RJ-45 connector balanced
Indicator	PWR for power supply ALM/PWR for fiber port LLOS/RLOS for E1 port
Dimension	25mm(H)×91mm(W)×172mm(D)
Weight	0.12Kg
Power consumption	< 5W
Working environment	Temp: -5~50 Celsius RH:10~90%(25 Celsius non-condensing)
Storage environment	Temp : -25~60 Celsius RH : 5~90% non-condensing

Compliances

Standards & protocols	ITU-T G.703,G.704,G.823,G.742,G.751
-----------------------	-------------------------------------

Ordering information

RC862-30-X	Modular fiber modem in 3U chassis, single E1 fiber modem, 75ohm unbalanced BNC connector, single/multi-mode
RC862-30-BL-X	Modular fiber modem in 3U chassis, single E1 fiber modem, 120ohm balanced RJ-45 connector, single/multi-mode

X – Fiber interface Specification

X	Optical connector	Wavelength (nm)	Rx Sensitivity (dBm)	Tx (dBm)	Power	Typical (Km)	Distance	Attenuation (dB/Km)
M	SC	1310	<-28		-20~-14		0~2	3
S1	SC	1310	<-34		-15~-8		0~25	0.5
S2	SC	1310	<-34		-5~0		10~60	0.5
S3	SC	1550	<-36		-5~0 (DFB)		15~120	0.25
SS13	SC	1310	<-30		-12~-3		0~25	0.5
SS15	SC	1550	<-30		-5~0		0~25	0.5
SS23	SC	1310	<-32		-12~-3		10~50	0.5
SS25	SC	1550	<-32		-5~0		10~50	0.5
SS34	SC	1490	<-32		-5~0		15~100	0.5
SS35	SC	1550	<-32		-5~0		15~100	0.5

M: Multimode dual-strand; S1, S2, S3: Single-mode dual-strand; SS13, SS15, SS23, SS25, SS34, SS35: Single-mode single-strand